

Legend:

- | | | | |
|----------|----------------|---|-----------|
| ■ Power | Ⓜ Power Input | ■ GPIO Digital External | Ⓜ LED |
| ■ Ground | Ⓜ Power Output | □ Analog External | Ⓜ RGB LED |
| | | ■ Main Part | □ Other |
| | | ■ Secondary Part | |
| | | ■ Internal Component | |
| | | ■ Other Pins (Reset, System Control, Debugging) | |

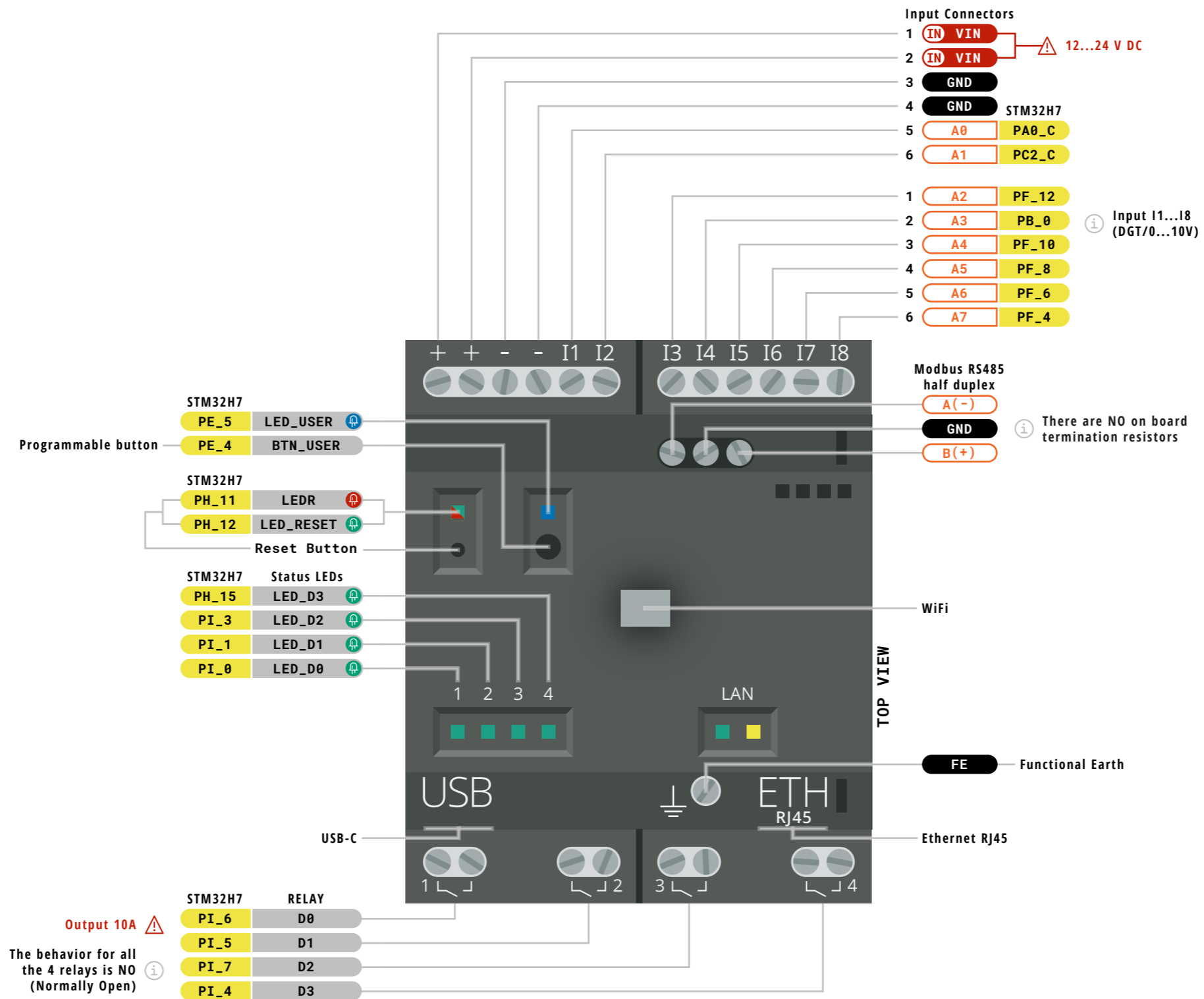
- ⚠️ **WARNING** Ensure the correct polarity is respected before connecting the device to the power supply
- ⚠️ **MAXIMUM** analogic input voltage is 10V
- ⚠️ **MAXIMUM** relay rated voltage 250VAC
MAXIMUM current per relay 10A



SKU code: AFX00001
Full Pinout - Page 1 of 1
Last update: 13 Apr, 2023

DOCS . ARDUINO . CC

This work is licensed under the Creative Commons Attribution-ShareAlike 4.0 International License. To view a copy of this license, visit <http://creativecommons.org/licenses/by-sa/4.0/> or send a letter to Creative Commons, PO Box 1866, Mountain View, CA 94042, USA.



Legend:

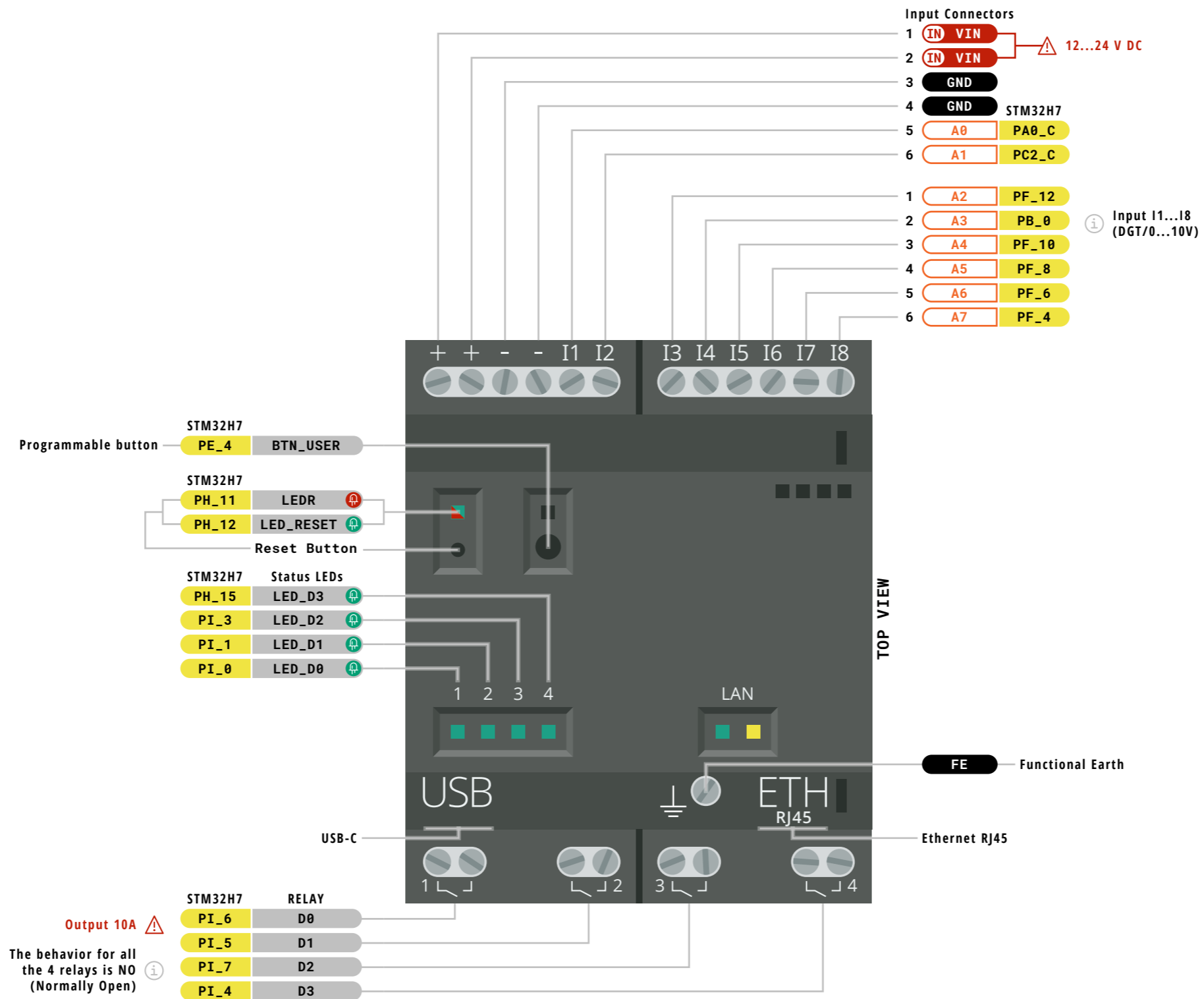
- | | | | |
|----------|----------------|---|-----------|
| ■ Power | Ⓜ Power Input | ■ GPIO Digital External | Ⓜ LED |
| ■ Ground | Ⓜ Power Output | □ Analog External | Ⓜ RGB LED |
| | | ■ Main Part | □ Other |
| | | ■ Secondary Part | |
| | | ■ Internal Component | |
| | | ■ Other Pins (Reset, System Control, Debugging) | |

- ⚠️ **WARNING** Ensure the correct polarity is respected before connecting the device to the power supply
- ⚠️ **MAXIMUM** analogic input voltage is 10V
- ⚠️ **MAXIMUM** relay rated voltage 250VAC
MAXIMUM current per relay 10A

SKU code: AFX00002
Full Pinout - Page 1 of 1
Last update: 2 Mar, 2023

DOCS . ARDUINO . CC

This work is licensed under the Creative Commons Attribution-ShareAlike 4.0 International License. To view a copy of this license, visit <http://creativecommons.org/licenses/by-sa/4.0/> or send a letter to Creative Commons, PO Box 1866, Mountain View, CA 94042, USA.



Legend:

- Power
- IN Power Input
- OUT Power Output
- GPIO Digital External
- Analog External
- Main Part
- Secondary Part
- Internal Component
- Other Pins (Reset, System Control, Debugging)
- LED
- RGB LED
- Other

- ⚠️ **WARNING** Ensure the correct polarity is respected before connecting the device to the power supply
- ⚠️ **MAXIMUM** analogic input voltage is 10V
- ⚠️ **MAXIMUM** relay rated voltage 250VAC
- ⚠️ **MAXIMUM** current per relay 10A



SKU code: AFX00003
Full Pinout - Page 1 of 1
Last update: 18 Sep, 2023

DOCS . ARDUINO . CC

This work is licensed under the Creative Commons Attribution-ShareAlike 4.0 International License. To view a copy of this license, visit <http://creativecommons.org/licenses/by-sa/4.0/> or send a letter to Creative Commons, PO Box 1866, Mountain View, CA 94042, USA.